

LUSTER BEAM



Name - Luster Beam

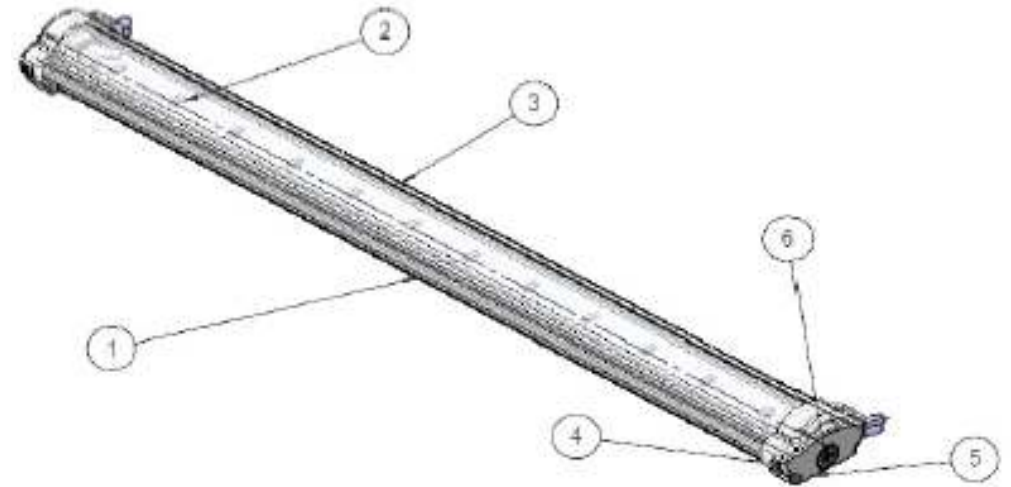
Applications-

Cove Lighting , General Lighting ,
Display Shelves , Jewellery stores etc

Features	Benefits
1.Strong thermal management.	High LED performance & longevity
2.High Efficacy	Upto 60% cost saving in energy
3.Dimmable	Easily create a suitable ambience
4.Temperature Tolerance	Suitable for temperature -5° C to + 40° C
5.Extrusion Panel base	High robustness
6.Variable sizes	Available in 1ft,2ft,3ft & 4ft
7.LED Light	Life of more than 40000 burning hours
8.Sophisticated Diffuser	Spreaded light with good output
9.Mounting bracket (optional)	Suitable to adjust in different angles
10. Double sided 3M tape	Can be fixed at any place with tape

Part No.	Luster Beam-VE-W	Luster Beam-VE-WW
Frame Type	Die Cast	Die Cast
Color Temp.(K)	4000° k	2700° k
Lumen Output	1440	1380
CRI (Ra)	85	85
Beam Angle(°)	120°	120°
Total Power(w)	19.2W	19.2W
Ingress Protection	IP20	IP20
LED BRAND	NICHIA	NICHIA
Housing Color	White	Warm White
Warranty (yrs)	5yrs	5yrs
Weight	0.2kg	0.2kg

LUSTER BEAM



ITEM NO	PART NAME	MATERIAL	QUANTITY
1	Housing	Aluminium	1
2	LED PCB	LED PCB	1
3	Cover	Polycarbonate	1
4	End CapA	Polycarbonate	2
5	End CapB	Polycarbonate	2
6	Screw-M2.5x10	SUS	2