

## DOWNLIGHTS



Name - Round200

### Applications-

Office Lighting, Shop Lighting,  
Corridor lighting, Bathroom &  
Kitchen Lighting

Features	Benefits
1.Strong thermal management.	High LED performance & longevity
2.High Efficacy	Upto 60% cost saving in energy
3.Dimmable	Easily create a suitable ambience
4.Temperature Tolerance	Suitable for temperature -20° C to + 55° C
5.Die casted Panels	High robustness
6.White Housing Color	Good Aesthetics
7.LED Light	Consumes 50% energy compare to CFL
8.Sophisticated diffuser	Provide soft and smooth light
9.Sleek Design	Suitable for most ceiling voids with limited space
10.Environmental Friendly	Non Harmful to Human Body

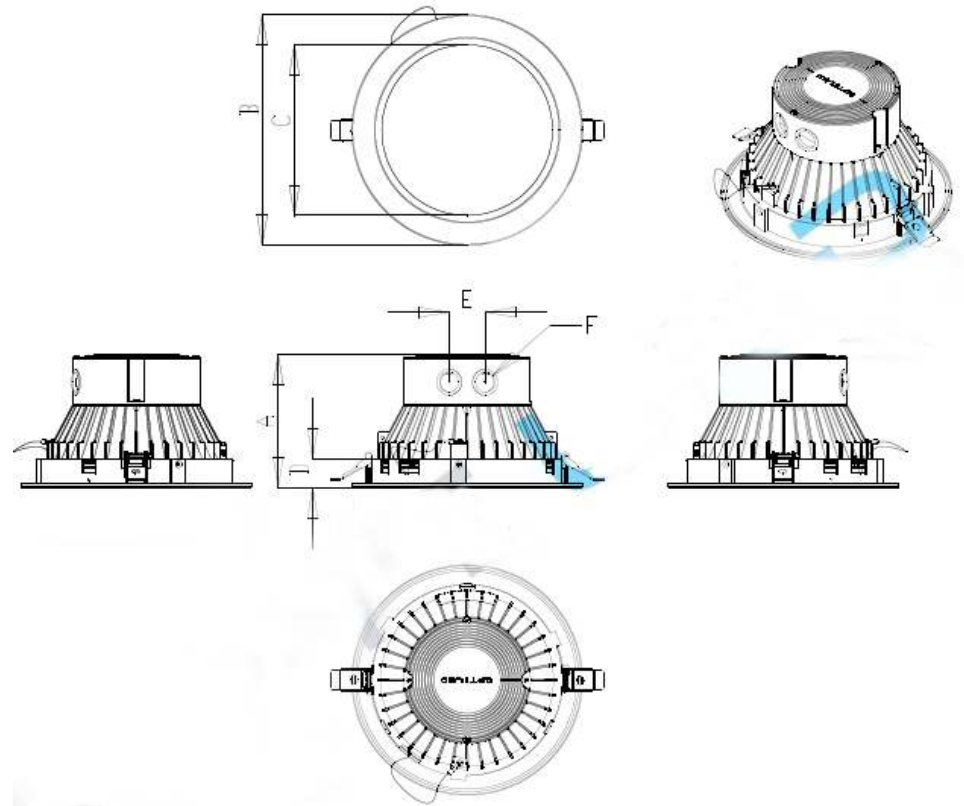
Part No.	2043050105	2043070105	2043060105
Frame Type	Die Cast	Die Cast	Die Cast
Color Temp.(K)	2800	4000	6000
Lumen Output(lm)	1200l m	1300l m	1300l m
CRI (Ra)	80	80	80
Beam Angle(°)	70°	70°	70°
Total Power(w)	25	25	25
Ingress Protection	Ip44	Ip44	Ip44
LED BRAND	CREE	CREE	CREE
Housing Color	White	White	White
Warranty (yrs)	2yrs	2yrs	2yrs
Weight	1kg	1kg	1kg

DOWNLIGHTS

---



Round 200



items	Typical	Unit
A	132	mm
B	229	mm
C	170	mm
D	29	mm
E	36	mm
F	20	mm